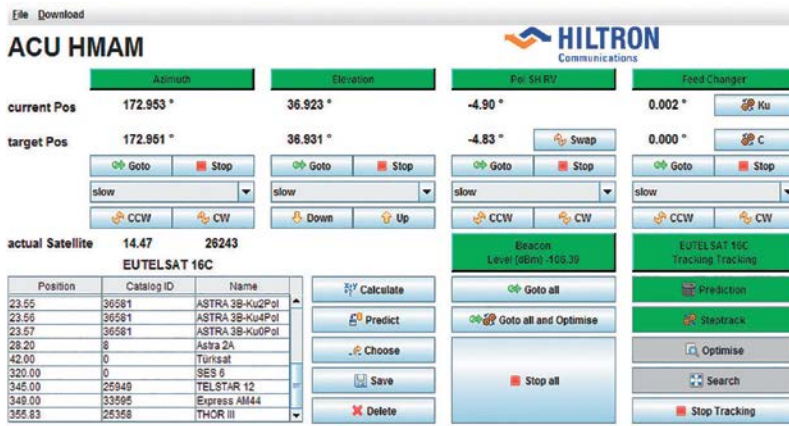




Hiltron SORBAS

Hiltron motorized antenna mount
High speed – High accuracy – High reliability

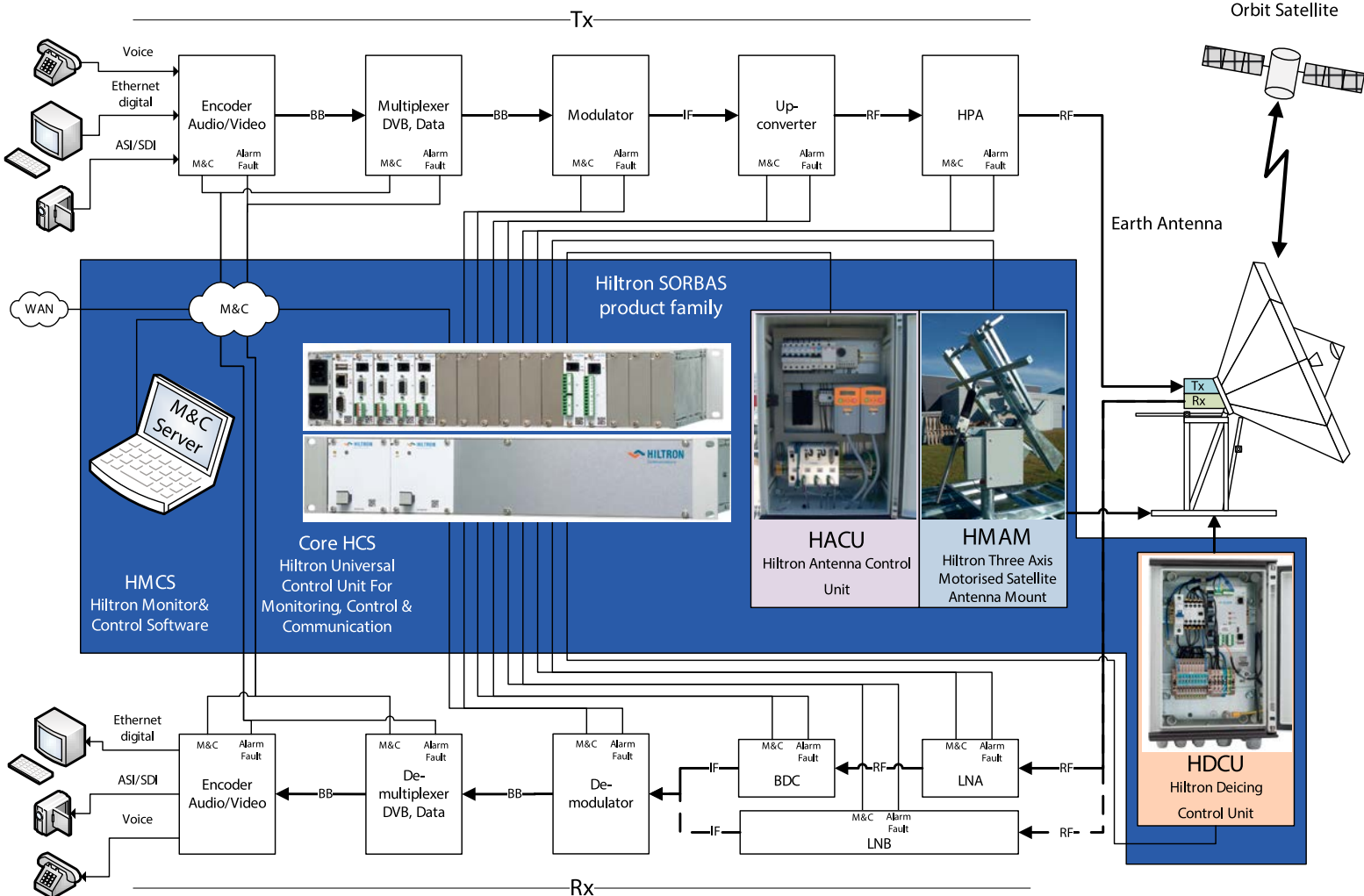
The Hiltron SORBAS Family



The Hiltron SORBAS motorized antenna mount is one of Hiltron's leading products, offering unique accuracy at a competitive price and renowned German build quality.

The Hiltron SORBAS antenna system is complete with a reliable antenna unit (HACU) and optional de-icing unit (HDCU).

It is our philosophy as a leading Satcom system integrator to develop customized system solutions. The heart of these solutions is very often our SORBAS core unit HCS.



Note: BB=Baseband; IF=Intermediate Frequency; RF=Radio Frequency

SignalLoss Satellite_V5.vsd



- ▶ **Professional motorisation**
- ▶ **Fast and precise positioning**
- ▶ **Tracking option**
- ▶ **360° Azimuth range, 90° Elevation range**
- ▶ **Available for different antenna types**

▶ **Mounting options**

- King Post
- Mast Adapter
- Non Pen

▶ **Drive unit options**

- Standard up to 2.8m
- Optional up to 3.8m

▶ **Antenna options**

- 1.2 m Prodelin 1120
- 1.8 m Prodelin 1183
- 2.4 m Prodelin 1242
- 2.4 m Prodelin 1244
- 2.4 m Prodelin 3244
- 1.8 m Skyware 183
- 2.4 m Skyware 243/244
- 1.8 m Laminas AS1800(G)
- 2.7 m Laminas AS2700(G)

Other antenna types
available on request



The Hiltron SORBAS

High Speed three Axis Antenna Mount

Specifications

Mount Type:	Elevation over Azimuth	Housing:	Outdoor cabinet, IP65
Travel Range (mechanical)		M&C Interface:	Ethernet, Web-interface, SNMP
Azimuth:	+/- 90° (option: +/- 135°)	Additional features:	Emergency stop
Elevation:	-15° to +60° (mechanical elevation)	Supply Voltage:	95-245VAC; 47-63Hz (for ACU control module) 230VAC +/- 15% single phase; 50/60 Hz 400VAC +/- 15% 3phase (alternatively) 208VAC +/- 15% 3phase (only upon special order)
Polarization:	-95° to +95°		
Travel Rate:	(Slow/medium/fast speed mode)		
- Azimuth	Up to 5°/s (in fast speed mode)		
- Elevation	Up to 2.5°/s (in fast speed mode)		
- Polarization:	Up to 4°/s		
Wind Load:	Depends on antenna and mounting e.g. for 2.4 m antenna kingpost mounted		
- Operational	125 km/h (positioning accuracy degraded)		
- Survival	200 km/h (in survival position)		
Ambient Temperature:	-25°C to +35°C (option: -25°C to +55°C)		
Humidity:	Up to 95% non-condensing		
Atmosphere:	To withstand standard atmospheric pollutants, with an option to withstand pollutants as encountered in coastal and industrial areas		
Weight:	160kg (without reflector and feed, reflector size up to 2.7M)		
Positioning:	Accuracy +/- 0.05° (Typical)		
Power Drive:	Three different Speed Modes (slow/medium/fast)		
- Azimuth	Frequency inverters		
- Elevation	Frequency inverters		
- Polarization	PWM – DC Voltage		



HILTRON GmbH

Emil-Rathenau-Str. 1
D-71522 Backnang
GERMANY

Tel: +49-7191-343570
Email: info@hiltron.de

www.hiltron.de