

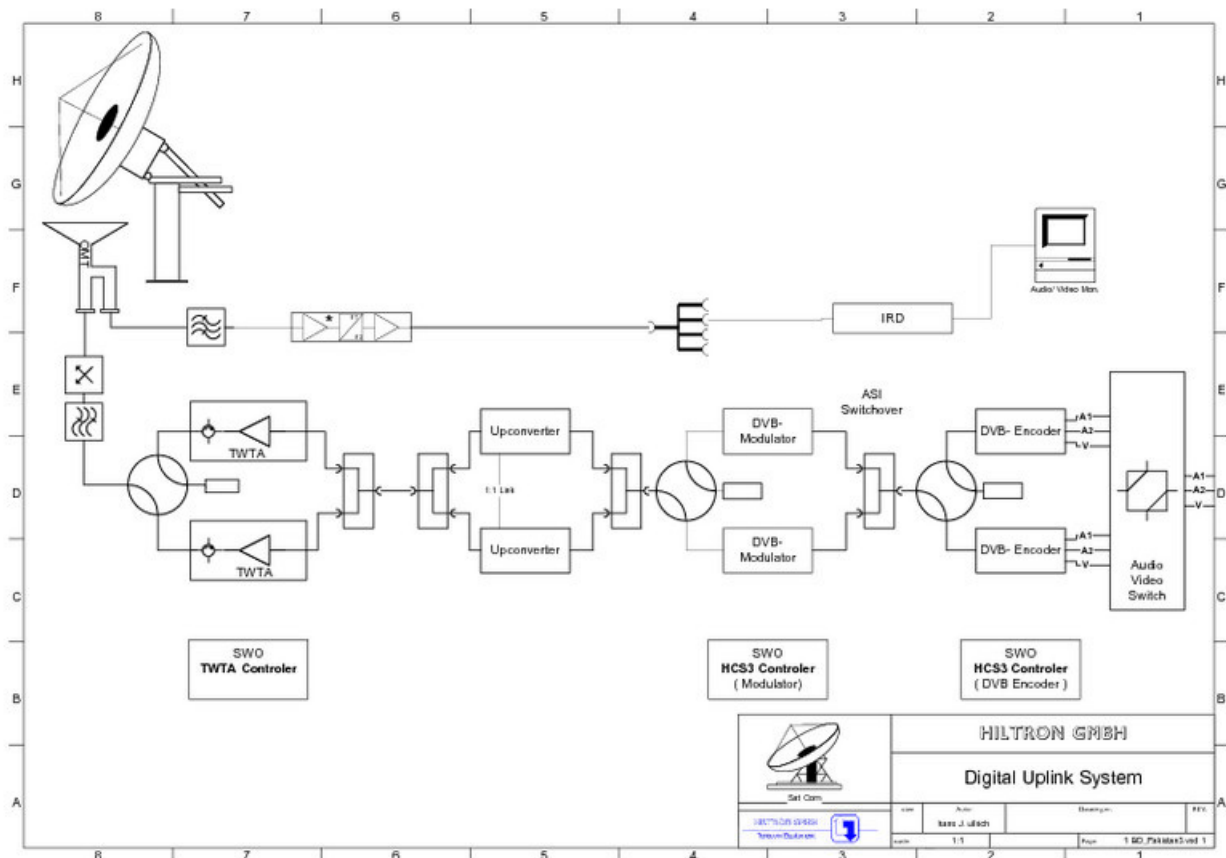
SAT UPLINKS FOR TV, RADIO & DATA

Hiltron is the leading system integrator for DVB-S/S2 uplinks in Germany. We have a large base of turnkey reference installations of DVB uplinks with antenna sizes varying from 1.2M to 13M. We design these systems individually based on specific requirements of our customers.



Typical system components are:

- > Satellite antenna with diameters between 1.2M and 13M
- > Tracking system
- > De-Ice system
- > High power amplifier system (SSPA / TWTA / Block Upconverter / Waveguide Switching System)
- > Modulation (DVB-S/S2) and upconverter system including redundancy units
- > DVB MPEG-2/MPEG-4 SD or HD encoding and multiplexing system
- > Receive Subsystem: LNAs, LNBs, Block Downconverter, IRDs
- > Monitor & Control System



Blockdiagram for typical Digital Uplink System